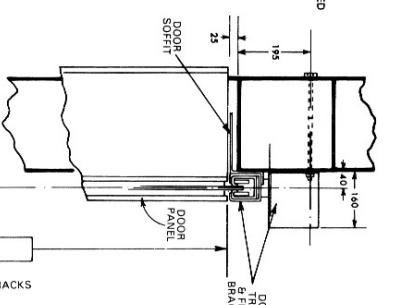
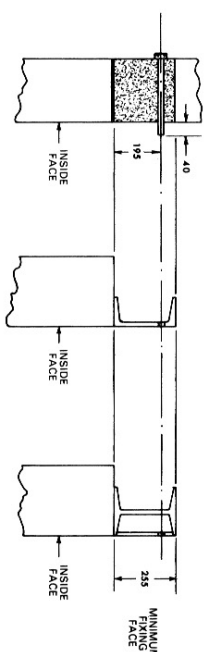
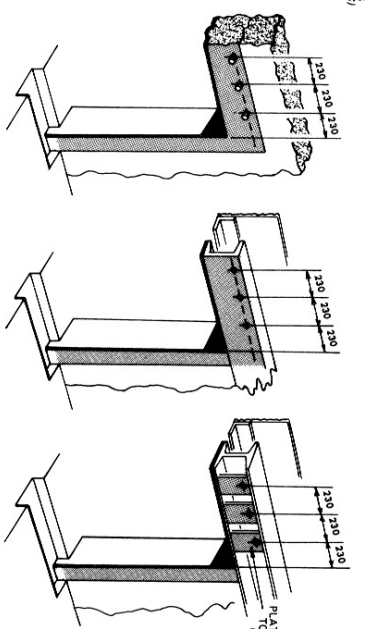
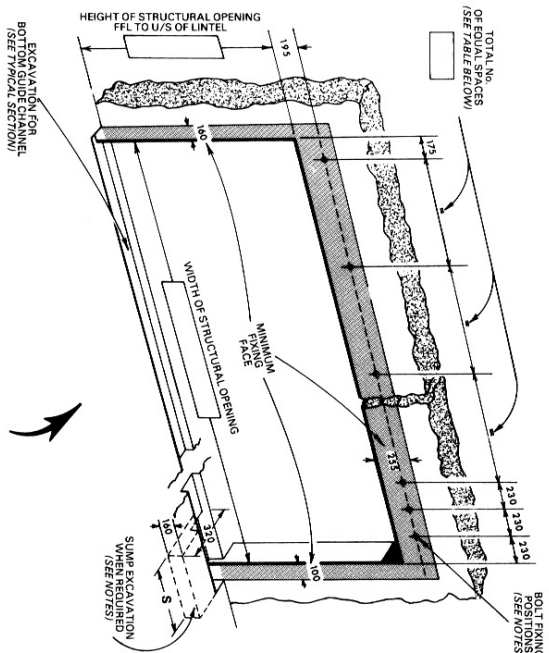
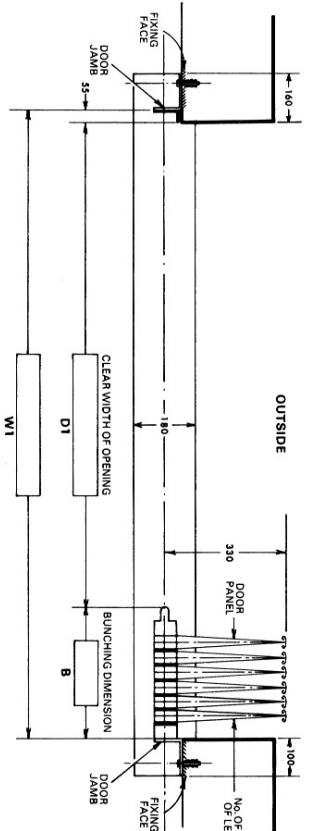


ALTERNATIVE CONSTRUCTIONS OF OPENINGS TO SUIT
DOOR FIXING REQUIREMENTS



NOTE: ALL FIXING FACES MUST BE FLUSH IN THE SAME VERTICAL PLANE AND ARE INDICATED THUS



HG SINGLE

TOTAL NUMBER OF EQUAL SPACES FOR BOLT FIXINGS RELATED TO DIMENSION

1350	1940	2530	3120	3710	4300	4890	5480	6075	6665	7255	7845
1	2	3	4	5	6	7	8	9	10	11	12
1	1	2	2	3	3	4	4	5	5	6	6
1	1	1	2	2	3	3	4	4	5	5	6
1	1	1	2	2	3	3	4	4	5	5	6
1	1	1	2	2	3	3	4	4	5	5	6

W1

IMPORTANT NOTES:

All dimensions shown in millimetres.

DIMENSIONS

DOOR STRUCTURE

Door panels, track, track fixing brackets, soffits, door jambs and bottom guide channel by WID.

All other materials and work indicated must be provided by others. **ALL FIXING FACES MUST BE FLUSH AND IN THE SAME VERTICAL PLANE.**

The lintel must be suitably tied into structure to resist the over-turning moment and of adequate size to ensure the top track does not deflect more than 13 mm under a moving load of 367 kg/m² of door area in the direction and position of the arrow shown in the typical section.

When the door is fixed to a concrete lintel, 12 mm dia. cast-in rag or through bolts must be provided. When fixed to steel section lintels, 14 mm dia. holes must be drilled.

Should the lintel construction be such that fixings are inaccessible, bolts must be welded in to give a minimum thread projection of 40 mm from the fixing face.

DOOR JAMB FIXINGS

Cast in, through and welded-in bolts must be supplied and fixed in position by others. All other fixings by WID.

When other than steelwork is used, the area of the vertical fixing faces for the full height must be constructed of suitable materials for raw bolt fixing of the door jambs.

SUMP EXCAVATION

When sumps are ordered extra excavation is required at the bunching end of the bottom guide channel, 300 mm wide x 165 mm deep. The length of the excavation 'S' is determined by the number of pairs of leaves provided, up to and including -

8 to 7 pairs 'S' = 710 mm
9 to 13 pairs 'S' = 915 mm

INSTALLATION DRAWING FOR WID SLIDING SHUTTER (TYPE HG)
ARRANGEMENT 3 RIGHT HAND MANUALLY OPERATED

DRAWING ISSUE NO. _____

ARCHITECT/CONTRACTOR _____

LOCATION _____

SCALE _____ DATE _____

FOR EMERGENCY REPAIR OR MAINTENANCE CALL:
(01935) 473708 / 473891 Fax: 01935 479413
www.widindustrialdoors.com enquiries@widindustrialdoors.com
Arling Road, Luton Trading Estate, North, Luton, Bedfordshire LU2 9NP

ORDER NO. _____ DRAWING NO. **HG3 RHM**