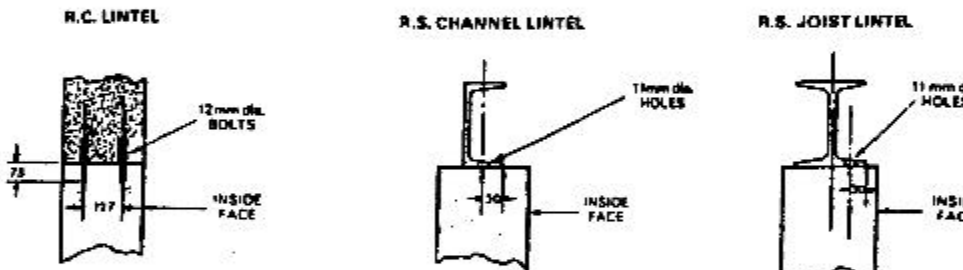
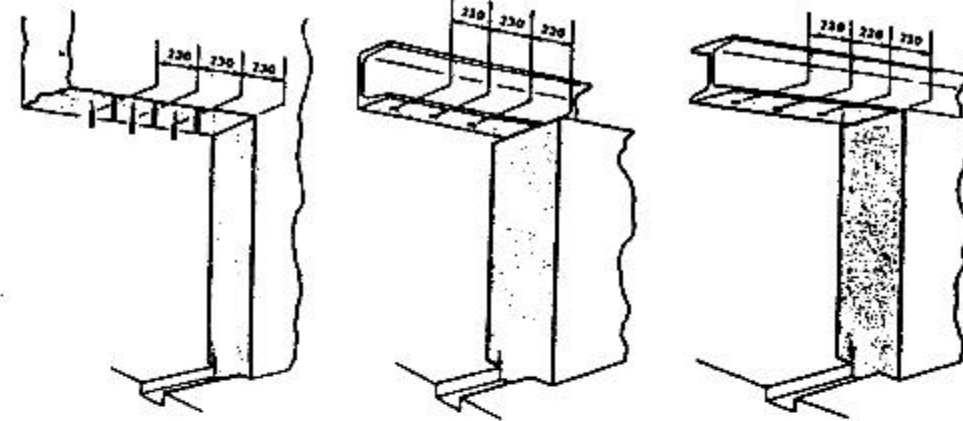
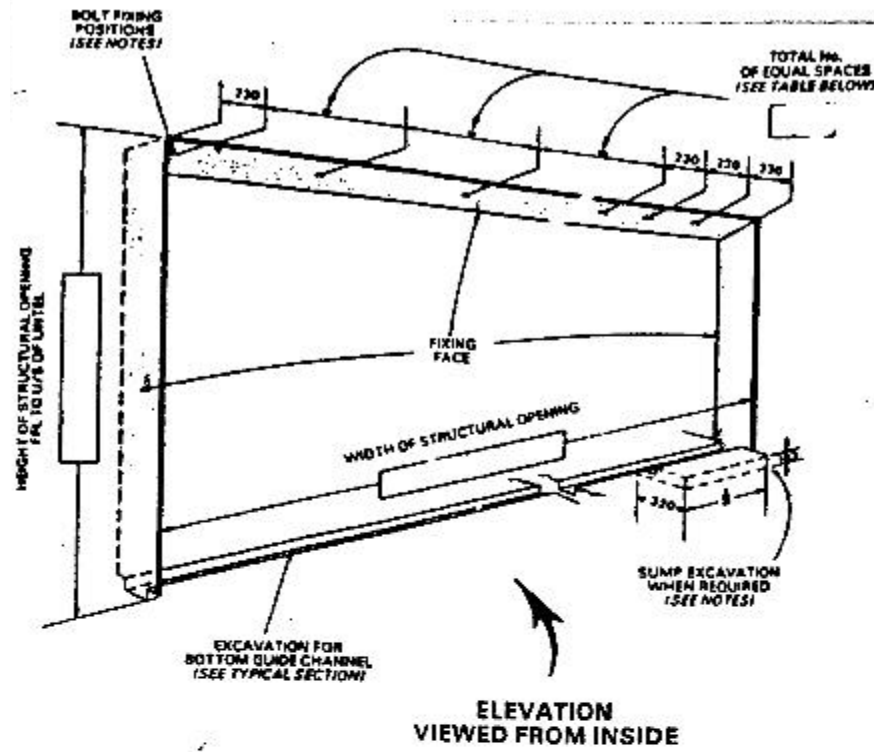
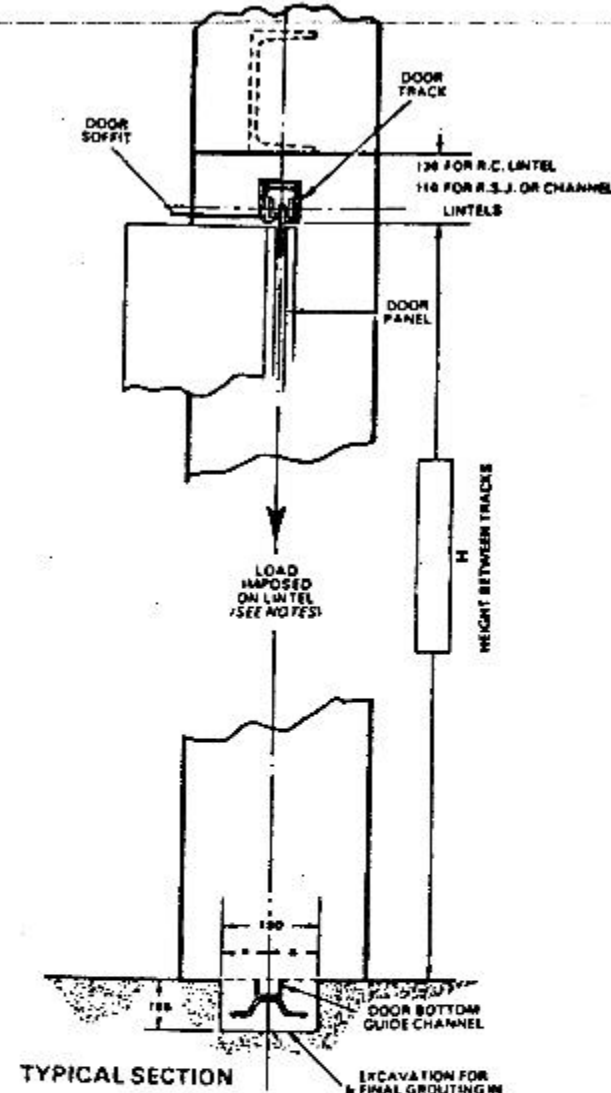


ALTERNATIVE CONSTRUCTIONS OF OPENINGS TO SUIT
DOOR FIXING REQUIREMENTS

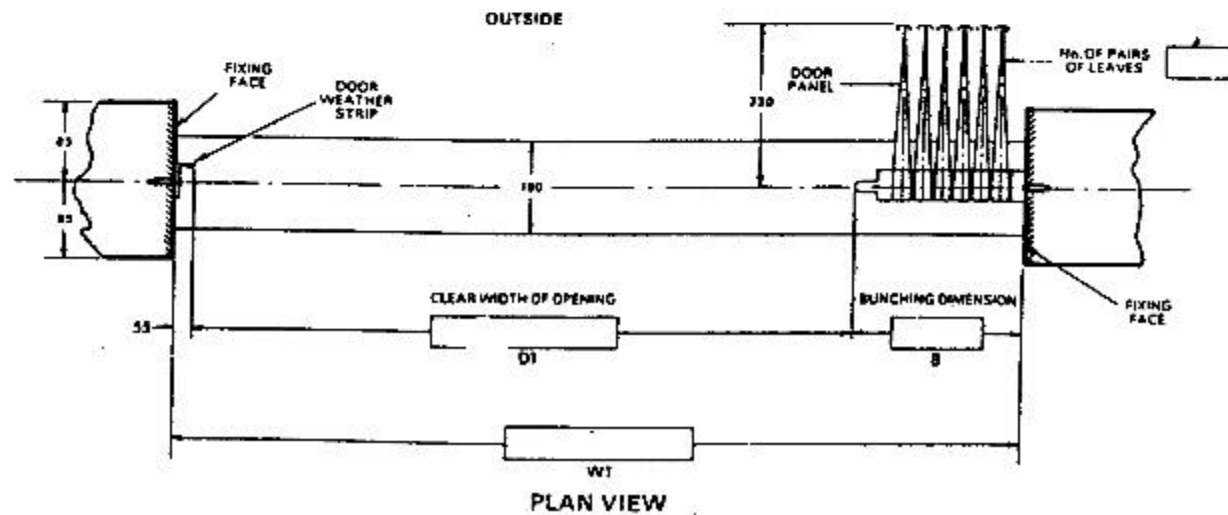


SECTIONS THROUGH LINTELS



TYPICAL SECTION

NOTE: ALL FIXING FACES MUST BE FLUSH AND ARE INDICATED THUS



PLAN VIEW

IMPORTANT NOTES:

DIMENSIONS

All dimensions shown in millimetres.

DOOR

Door panels, track, soffit, weatherstrip and bottom guide channel by WEL.

STRUCTURE

All other materials and work indicated must be provided by others. ALL FIXING FACES MUST BE FLUSH.

BOLT FIXINGS

The lintel must be suitably tied into the structure to resist any over-turning moment and of adequate size to ensure the top track does not deflect more than 13 mm under a moving load of 38.7 kgs/m² of door area in the direction and position of the arrow shown in the typical section.

DOOR PANEL & WEATHERSTRIP FIXINGS

When the door is hung from a concrete lintel 12mm dia. cast-in rag bolts must be provided with a bolt projection of 75 mm below soffit face of lintel, see section for R.C. lintel.

SUMP EXCAVATION

When steel section lintels are used 11 mm dia. holes must be drilled.

Cast in rag bolts to be supplied and fixed in position by others. All other fixings by WEL.

When other than steelwork is used, the area of the vertical fixing faces for the full height must be constructed of suitable material for rawl bolt fixing of the door and weatherstrip.

When sumps are ordered extra excavation is required at the bunching and of the bottom guide channel excavation 320 mm wide x 185 mm deep. The length of the excavation 'S' is determined by the number of pairs of leaves provided, up to and including:-
 8 pairs 'S' = 610 mm
 9 to 13 pairs 'S' = 815 mm

Wessex Industrial Doors Ltd.

Installation drawing for Wessex sliding shutter
TYPE HG
Arrangement 2 Right hand manually operated

TEL : +44 1935 473708
FAX : +44 1935 479413

Artillery Road
Lufton Trading Estate
Yeovil
SOMERSET
BA22 8RP
www.wessexindustrialdoors.com
E-mail :- enquiries@wessexindustrialdoors.com